

TCPB-3242 Series LED Linear Fixture

FEATURES:

- *Narrow beam angle
- *Suitable for wall grazing and edge lighting
- *Compact yet powerful
- *The length can be adjustable with 75mm increments
- *Constant voltage board design
- *Water proof (IP68 LED Board only)
- *Variety of mounting method enables flexible lighting control

SPECIFICATION:

Model: TCPB-3242

Size: 32.2mm(W)(1.27") x 42.0mm(H)(1.65") x Max length 1200mm(L)(47.24")

LED Quantity: 3 per 75mmL(2.95")

Power Consumption: 13.2W per 300mmL(11.81")

Output Lumen: 910lm per 300mmL

Input Voltage: 12VDC

LED Types: SMT LED

CRI: >90

Lamp Life: 50,000 average life hours

Available Color (K): 3000, 3500, 4000

Lens: 7°(FWHM)

Dimmable: Yes

Cooling: Heat sink

Suggested Room Temperature: 0°~40°C

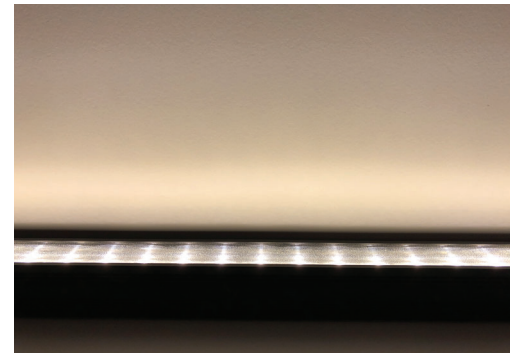
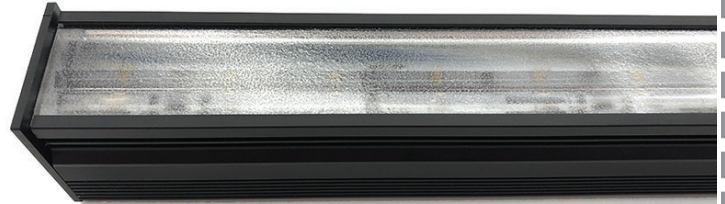
Suggested Room Humidity: 20~80%

Application: Interior use only

Mounting Method: Mount Bracket

IES File: Available upon request

Diagram: Available upon request

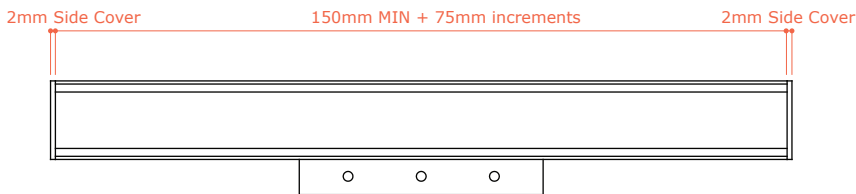


TCPB-3242(Linear Lens)

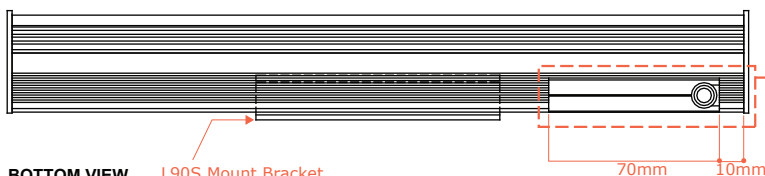
Linear lens creates soft and smooth lights.
(No hotspots)

Dimension:

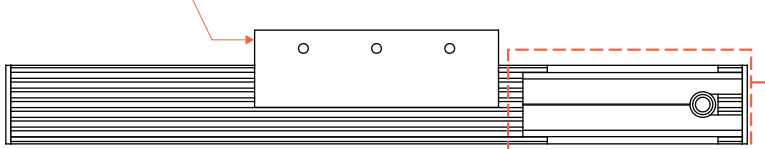
TOP VIEW



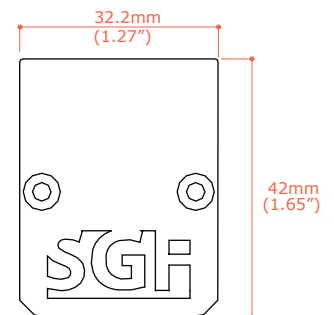
FRONT VIEW



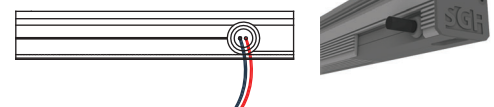
BOTTOM VIEW



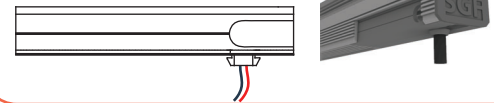
ENLARGED SIDE VIEW



Opt 1: Cable slot side type

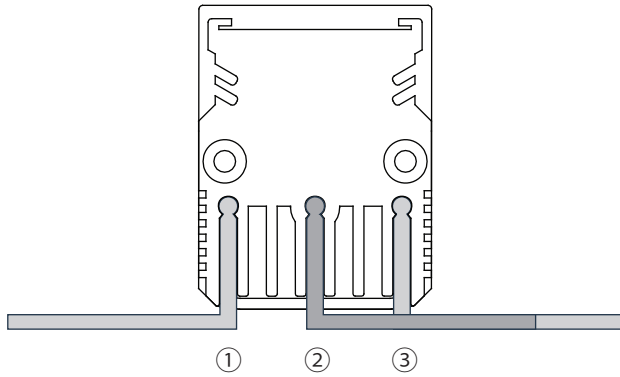


Opt 2: Cable slot bottom type



TCPB-3242 Series LED Linear Fixture

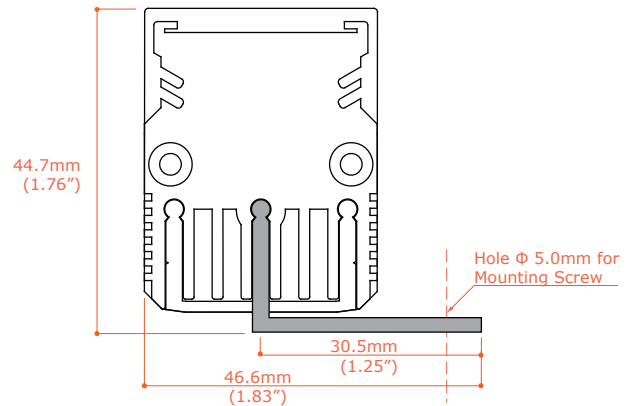
Mounting options:



*L90S Mount Bracket shown in the image

*Both mount bracket can be fit three locations.

TCPB-3242:L90S Mount Bracket (Angle Fixed)



TCPB-3242:FS Mount Bracket (Angle Adjustable 180°)

