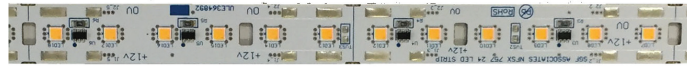


TFPB-757 Series LED Linear Fixture

TFPB-757:



25mmL spacing type



12.5mmL spacing type

Features:

- *Compact output
- *Highly customizable spec
- *Constant voltage design

Specification:

Model: TFPB-757-25 / TFPB-757-12.5

Size: Max length 1200mm(L)(47.24")

LED Stripe: 75mmL(2.95") Increments
Single row
25mmL, 12.5mmL Spacing

LED Quantity: TFPB-757-25 12 per 300mmL
TFPB-757-12.5 24 per 300mmL

Power Consumption: 4.5W per 300mmL(11.81")

Output Lumen: TFPB-757-25 410lm per 300mm
TFPB-757-12.5 420lm per 300mm

Input Voltage: 12VDC

LED Types: SMT LED

CRI: >90

Beam Angle: 120°

Available Color (K): 2700, 3000, 3500, 4000

Dimmable: Yes

Cooling: Heat sink (Aluminum Extruded)

Suggested Room Temperature: 0°~40°C

Suggested Room Humidity: 20~80%

Application: Interior use only

IES File: Available upon request

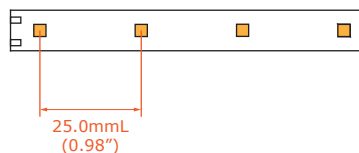
Diagram: Available upon request



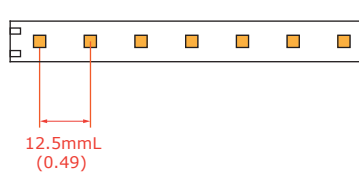
Fixture Options:

1. TFPB-757

a. 25mmL spacing type



b. 12.5mmL spacing type



2. Heat sink

a. 1420 series



b. 1420 -MAG series

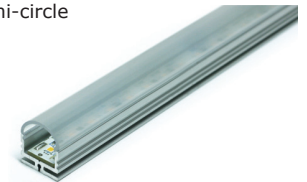


c. 2030 series



3. Lens

a. Semi-circle



b. Flat



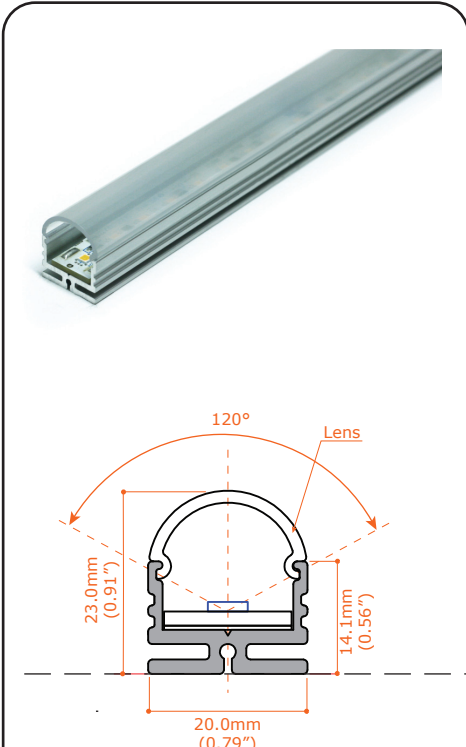
TFPB-757 Series LED Linear Fixture

Dimension and Features:

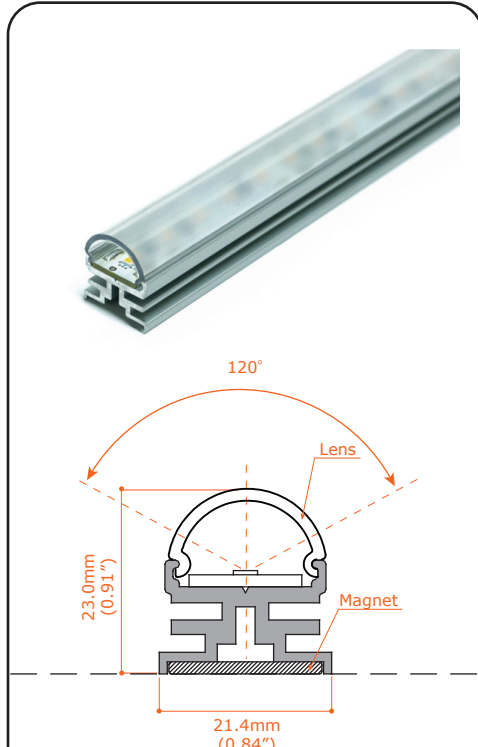
1420 series

1420N-MAG series

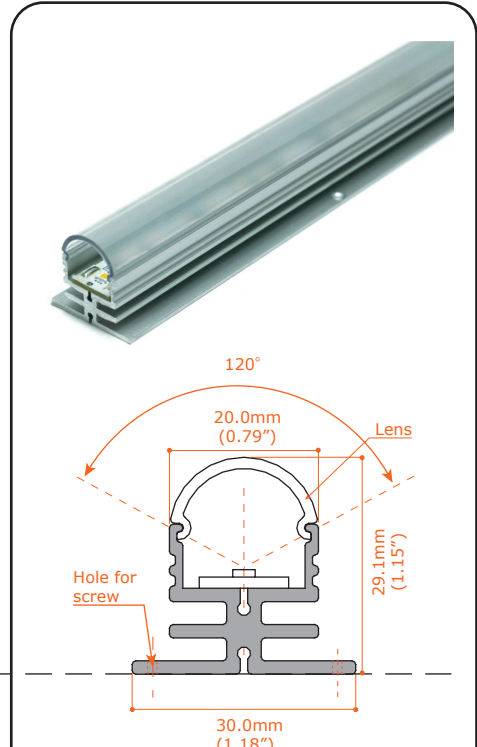
2030 series



- *This enclosure has enough depth to prevent the glare
- *Compact yet simple design



- *This enclosure has lower depth than 1420 series, and it makes the light angle wider (app. 120°)
- *Mounting method: Magnet



- *For this enclosure, screw can be used for mounting
- *This enclosure has enough depth to prevent the glare


Two types of lenses for enclosure:

Lens 1



- *This semi-circle lens shape spreads light widely to diffuse it well
- *Great diffuser for various situation
- *Diffuseness is adjustable

Lens 2



- *Flat type lens to protect TFPB-757