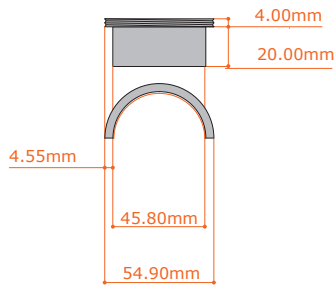


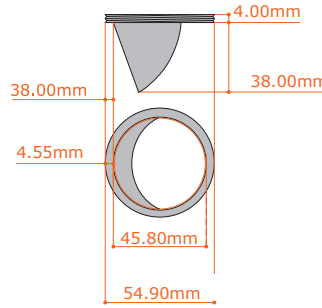
FVS Accessories

Glare control: *Dimension : For MR16

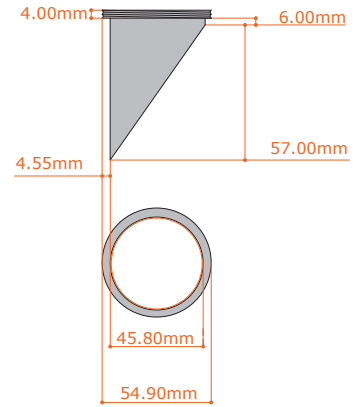
Half-Snoot-SQ



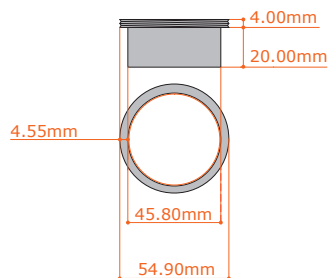
Half-Snoot-SA



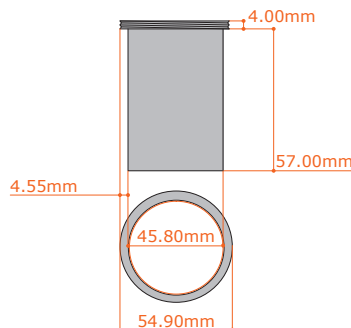
Half-Snoot-L



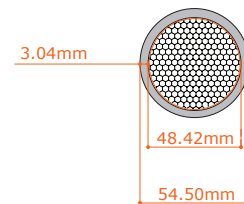
Half-Snoot-S



Full-Snoot-L



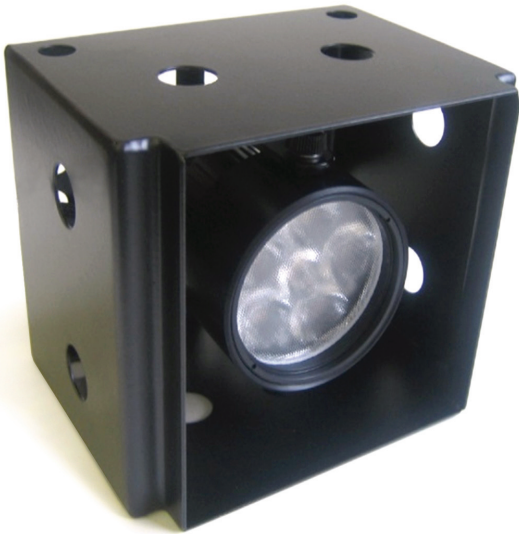
Honeycomb Louver



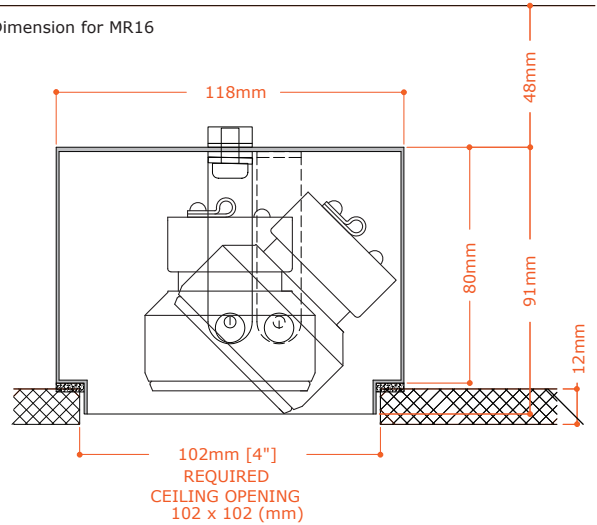
FVS Accessories

Recess & Trimless :

- *Install the unite from below
- *102mm x 102mm hole required
- *Easy to maintain



Dimension for MR16

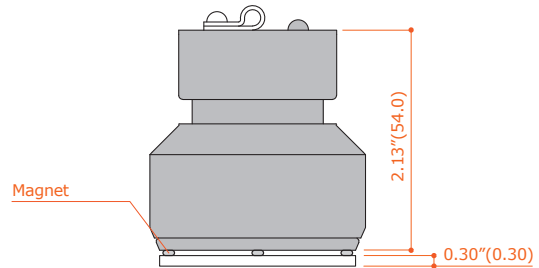


Color temperature control :

- *Warming and cooling color temperature with lens
- *Mounting method: Magnet
- *Thickness of the lens: 3.10mm



MR16



MR11

