

TCPB-3137 Series LED Linear Fixture



FEATURES:

- *Suitable for wall grazing
- *Compact yet powerful
- *The length can be adjustable with 75mm increments
- *Constant voltage board design
- *Water proof (IP68 LED Board only)

SPECIFICATION:

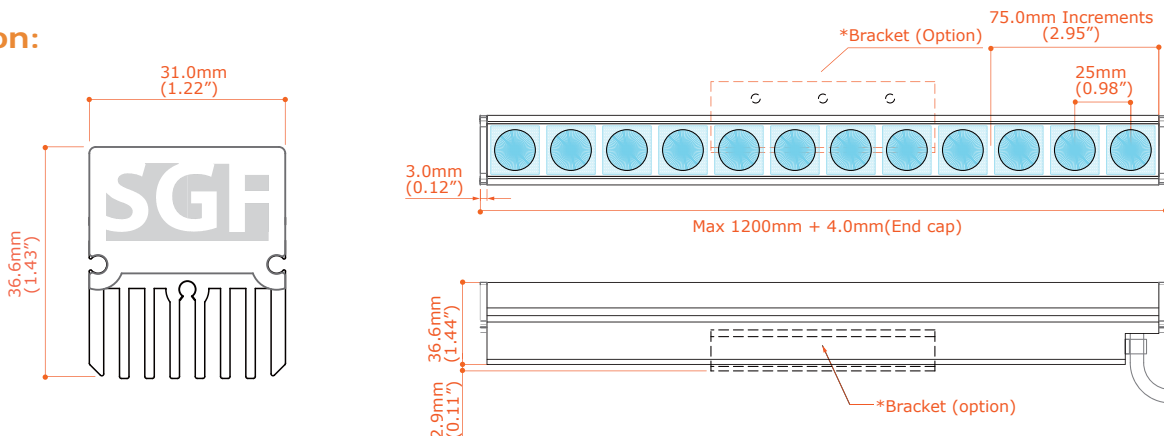
Model: TCPB-3137
Size: 31.0mm(W)(1.22") x 36.6mm(H)(1.44") x Max length 1200mm(L)(47.24")
LED Quantity: 3 per 75mmL(2.95")
Power Consumption: 13.2W per 300mmL(11.81")
Output Lumen: 910lm per 300mmL
Input Voltage: 12VDC
LED Types: SMT LED
CRI: >90
Lamp Life: 50,000 Average life hours
Available Color (K): 3000, 3500, 4000
Lens: 16°, 40°

Dimmable: Yes
Cooling: Heat sink
Suggested Room Temperature: 0°~40°C
Suggested Room Humidity: 20~80%
Application: Interior use only
Mounting Method: Mount Bracket

IES File: Available upon request
Diagram: Available upon request

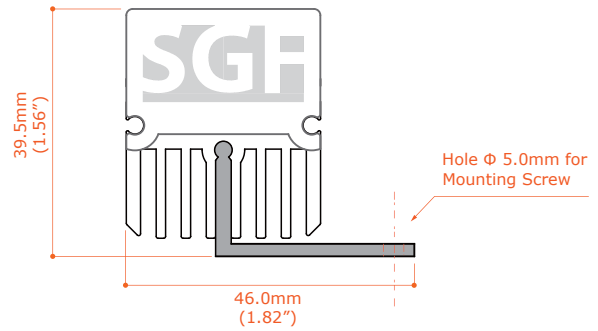


Dimension:

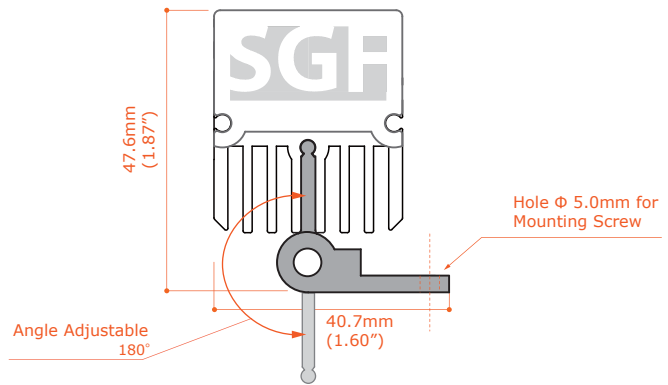


TCPB-3137 Series LED Linear Fixture

TCPB-3137:L90S Mount Bracket (Angle Fixed)



TCPB-3137:FS Mount Bracket (Angle Adjustable 180°)



TCPB-3137:US Mount Bracket (Angle Adjustable 180°)

