

## LED Fiber Optic Illuminator

### Features:

- \*Compact LED fiber optic system creates a clear narrow spot
- \*Flexible focus adjustability with magnet
- \*Individual dimming with rotary knob
- \*Supported by MO power track

### Specification:

**Model:** SGF-FOL-MO2  
**Size:** 50mm(1.97")(W) x 34mm(1.34")(H) x 94mm(L)(3.7")  
**Power Consumption:** 7.2W per fixture  
**Output Lumen:** 1880lm per fixture  
**Input Voltage:** 12DVC  
**LED Types:** SMT LED  
**CRI:** >90  
**Numerical Aperture:** 0.55

**Available Color (K):** 2700, 3000, 3500, 4000  
**Acceptable fiber bundle:** Max.  $\Phi$ 8mm (0.31")

**Dimmable:** Yes (Internal)  
**Cooling:** Heat sink  
**Suggested Room Temperature:** 0°~40°C  
**Suggested Room Humidity:** 20~80%  
**Application:** Interior use only  
**Mounting Method:** MO track  
**Option:** Fiber, Lens, Lens holder

**Diagram:** Available upon request



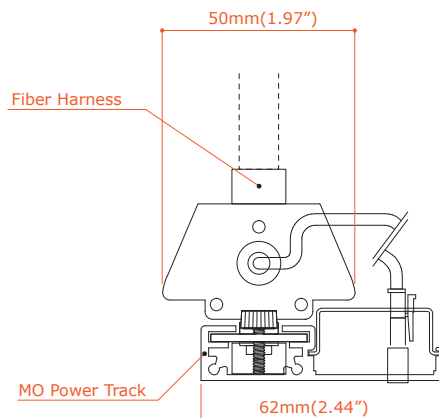
\*Creates narrow clear spot

\*Works with MO track



### Dimension:

#### Side View



#### Front View

