

Mini-DLTS

Features:

- *Compact yet powerful
- *Easy installation from bottom
- *Angle adjustable

Specification:

Model: Mini-DLTS
Size: 45.0mm(Dia.)(1.77") x 28.8mm(H)(1.11")
LED Quantity: 1 per fixture
Power Consumption: 2W per fixture
Output Lumen: 140lm per fixture
Input Voltage: 12 VDC

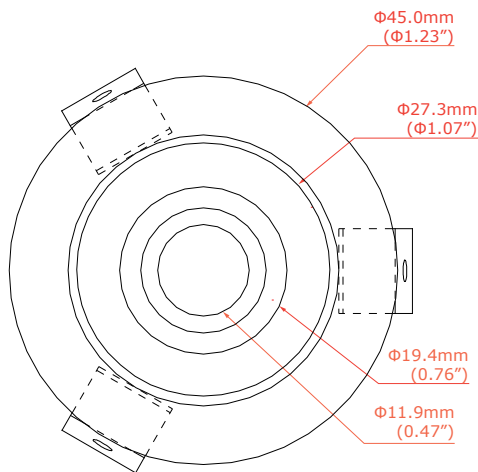
LED Types: SMT LED
CRI: >90
Available Color (K): 2700, 3000, 3500, 4000
Lens: 18°, 26°, 54°
Tilt Angle: 40°

Dimmable: Yes
Cooling: Heat sink
Suggested Room Temperature: 0°~40°C
Suggested Room Humidity: 20~80%
Mounting Method: Mount metal spring
Application: Interior use only

IES File: Available upon request
Diagram: Available upon request

Dimension:

Bottom View



Side View

