

Mini-DL

Features:

- *Compact yet powerful
- *Easy installation from above
- *Angle adjustable

Specification:

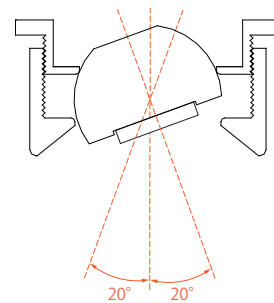
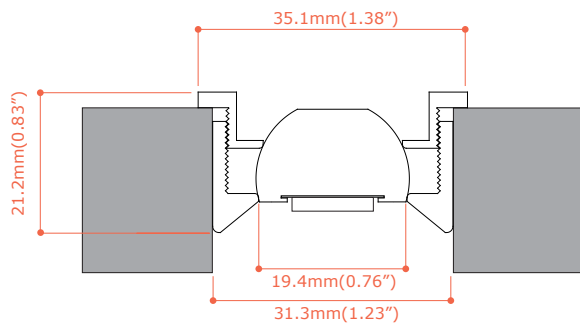
Model: Mini-DL
Size: 31.3mm(Dia.)(1.23") x Max. 21.2mm(H)(0.83")
LED Quantity: 1 per fixture
Power Consumption: 2W per fixture
Output Lumen: 140lm per fixture
Input Voltage: 12 VDC

LED Types: SMT LED
CRI: >90
Available Color (K): 2700, 3000, 3500, 4000
Lens: 18°, 26°, 54°
Tilt Angle: 40°

Dimmable: Yes
Cooling: Heat sink
Suggested Room Temperature: 0°~40°C
Suggested Room Humidity: 20~80%
Application: Interior use only

IES File: Available upon request
Diagram: Available upon request

Dimension:



*No lens option shown in the picture