

# K4 Dimming Controller

**Features:**

- \*Supports FVS/ LFS/ Single spot/ Eyeball linear series
- \*Dimming with rotary knob

**Specification:**

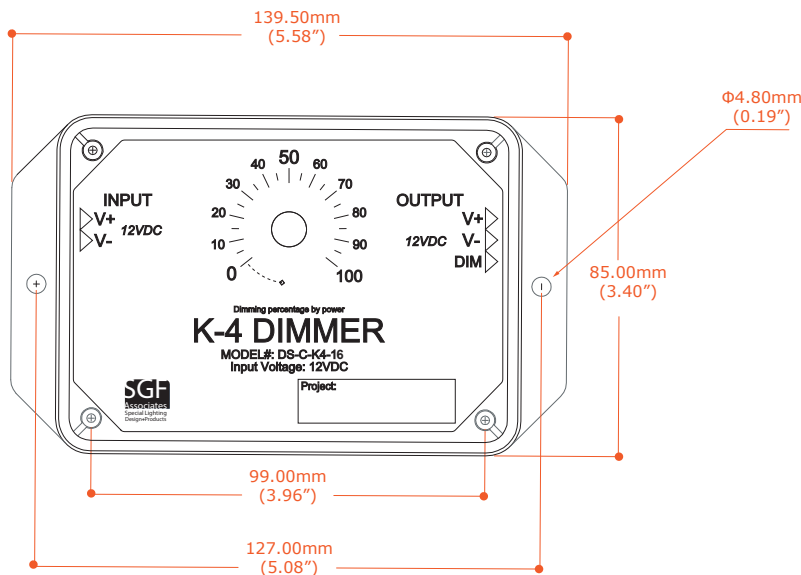
**Model:** DS-C-K4-16  
**Input Voltage:** 12 VDC  
**Output :** 12 VDC and Dimming signal

**Diagram:** Available upon request

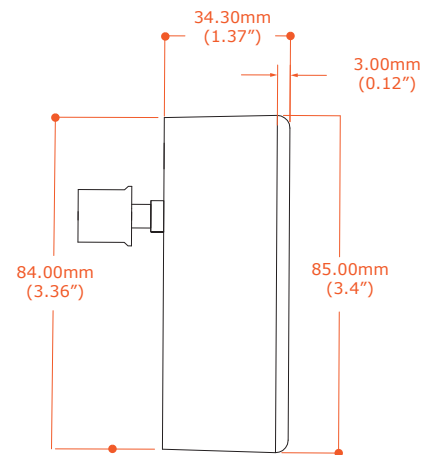


**Dimension:**

Top View



Side View



Front View

